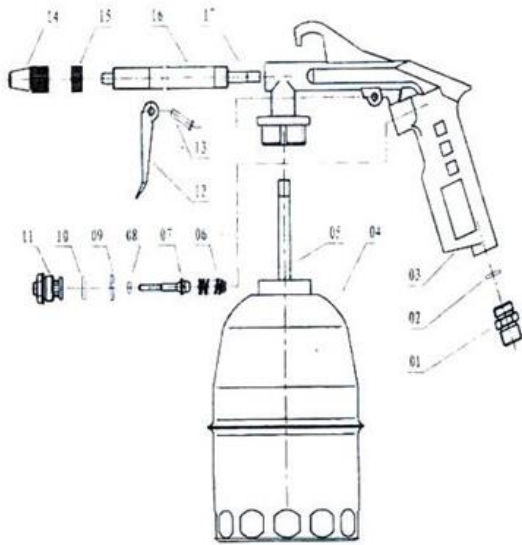




## PART LIST:



No	Description	No	Description
1	Air Inlet Plug	10	Rectangle Washer
2	O-ring	11	Switch Seat
3	Gun Body	12	Trigger
4	Container	13	Trigger Pin
5	Straw	14	Air Inlet Cap
6	Switch Valve	15	Screw
7	Switch Pipe	16	Water Inlet Pipe
8	O-ring	17	Blow Pipe
9	O-ring		

## USING THE WASHING GUN

1. Connect the washing gun to air compressor via suitable hose.
2. Pour some appropriate amount of neutral detergent or hydrolytic thinner into the container.
3. Connect gun body with container tightly and aim the nozzle to parts that you want to clean.
4. Adjustment of fluid.
5. Drain, clean and dry the solvent chamber after use and before storage.

**WARNING:** Avoid the use of highly inflammable solvent. Do not use to spray petrol. Non flammable commercial degreasers and detergents should be used. Never use corrosive detergent.

## MAINTENANCE

- Keep it clean. Regularly lubricate the moving parts of the trigger.
- Equipment store in a dry area, protected from the weather.
- Stored near chemicals and gases, causing corrosion is inaccessible.

To prevent damage to the unit during transport, pack it securely and use the original packaging.

SUPPLIER: LEVIOR s.r.o.